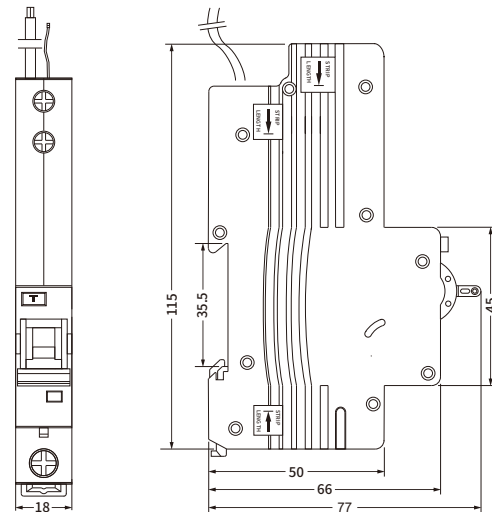




### Overall and Installation Dimension(mm)



### Technical Data

Standard	IEC/EN61009-1
Protection	Ground fault, Overcurrent and short circuit, Over-voltage(selectable)
Type of trip	Ground fault : Electronic Overload and short circuit :Thermo-magnetic
Type of protection (electric leakage)	AC,A
No.of poles	1P+N 1module , N line non-disconnected
Rated voltage (Ue)	230/240V~
Rated currents (In)	6,10,16,20,25,32,40A
Rated sensitivity currents (I $\Delta$ n)	10,30,100,300mA
Residual current off-time under (I $\Delta$ n)	≤ 0.1s
Rated residual making and breaking capacity(I $\Delta$ m)	500A(In≤50A), 10In(In>50A)
Rated frequency	50/60Hz
Rated breaking capacity	6,000A
Energy Limiting Class	3
Rated impulse withstand voltage(1.2/50) (Uimp)	4,000V
Dielectric test voltage at Ind. Freq.for 1 min	2kV
Thermal release characteristic	(1.13-1.45) x In
Magnetic release characteristic	B:(3-5) x In, C:(5-10) x In
Electrical life	4,000 Cycles
Mechanical life	10,000 Cycles
Contact position indicator	Yes
Protection degree	IP20
Ambient temperature	-25°C to +40°C, Max.95% humidity
Terminal connection type	Cable/Pin-type busbar
Max.terminal size for cable	L(in):25mm <sup>2</sup> , N/L(out) :16mm <sup>2</sup>
Max.tightening torque	L(in):2.5.N.m , N/L(out):2N.m
Installation	Mounting on 35mm DIN rail
Connection	From bottom